



Take a deep breath, relax and enjoy the open, roaring fire of the Solana™ EPA-qualified wood-burning fireplace.

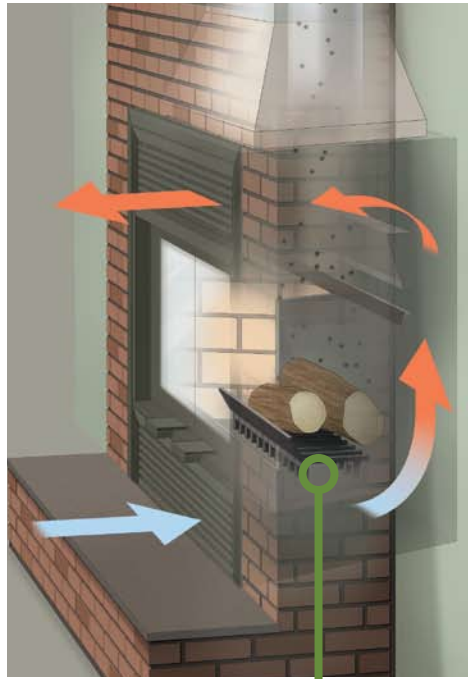
LENNOX
HEARTH PRODUCTS

DAVE LENNOX
signature
COLLECTION

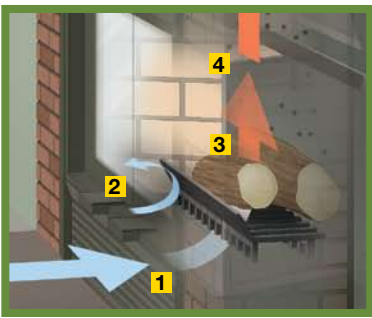


Solana™

■ For centuries, wood-burning fireplaces have been a source of warmth, entertainment and ambiance, but with the release of particulate emissions, there has been an environmental sacrifice. Lennox is helping to change that. The Solana™ is an innovative option that produces a fraction of the emissions through its patent-pending Fresh Fire™ burn system. With particulates as low as 3.87 g/kg with the doors open and 2.26 g/kg with the doors closed, you can feel comfort in the fact that your wood fires are burning cleaner than ever before. ■



a b



The science of the Fresh Fire™ burn system*

- 1** Air is diverted under the front of the grate, gaining heat from the ember and ash material for more efficient combustion.
- 2** Cool air is deflected to prevent cooling of the fire, so that high temperatures are maintained.
- 3** Efficient combustion leads to lower emissions, because the higher temperatures burn up more volatile gases and particulates.
- 4** Exhaust air is effectively pulled into the chimney, and heat from the fire is circulated into the living space.

**Patent pending*



Black doors



Brushed-nickel doors



Brushed-nickel doors and horizontal trim

STANDARD FEATURES

- a** Patent-pending Fresh Fire™ burn system helps significantly reduce emissions to an EPA-qualified 3.87 gr/kg (70% less than a traditional wood fireplace)
- b** Heat-circulating design delivers efficient operation
- c** Retractable doors and spark arrestor slide out of sight for an unobstructed view of the fire
- d** Efficient air-wash system helps keep the glass clean from ash and soot buildup
- e** Large textured brick refractory simulates the look of a real masonry fireplace
- f** Tilting grate helps simplify ash removal

Ceramic glass doors help radiate heat into the room

Available with a choice of black or brushed-nickel doors

Outside air kit uses outside air for combustion to increase burning efficiency, while preserving warm inside air

Utilizes 8" class A (ASHT+) chimney

OPTIONAL ACCESSORIES

Horizontal trim available in brushed-nickel

Heat-activated blower enhances the heat-circulating capability of the fireplace

Forced-air heating kit allows homeowners to heat other rooms in the house*

**Use of forced-air heating kit voids EPA compliance.*



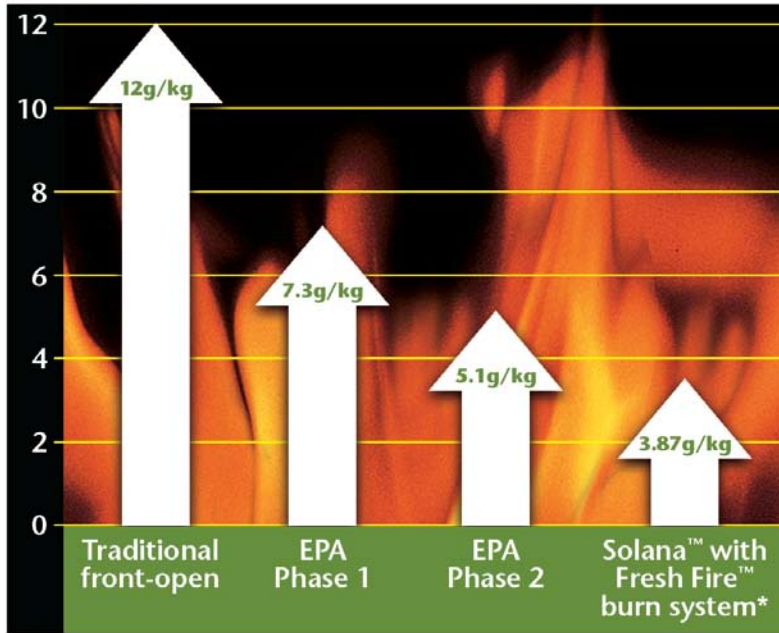
c d e



e f



THE FRESH FIRE™ ADVANTAGE: SMOKE EMISSIONS COMPARISON (g/kg)



*EPA-qualified test results with doors open.

The EPA Wood-burning Fireplace Program for front-open fireplaces encourages masonry professionals and manufacturers of factory-built fireplaces to improve air quality through the development of cleaner-burning fireplaces. During Phase 1 of this program, a qualifying fireplace must emit no more particulate than 7.3gr/kg of fuel burned. Fireplaces built after February 19, 2012 must qualify to Phase 2 requirements and must emit no more particulate than 5.1 gr/kg of fuel burned.

Lennox Hearth Products is dedicated to the advancement of clean-burning technologies. Our patented Fresh Fire™ burn system exceeds Phase 2 requirements and achieves up to a 70% reduction in particulate emissions when compared to a traditional fireplace. For more information on the EPA Program, visit www.epa.gov/burnwise/.

PRODUCTS AND DEALERS YOU CAN COUNT ON

At Lennox, we understand how important it is for you to feel comfortable at home, so we're committed to providing you with the finest hearth products available. Choosing the right dealer for your hearth needs is every bit as important as choosing the right brand, and we think you'll agree that our dealers are a big reason why you can count on getting quality customer service when you call.

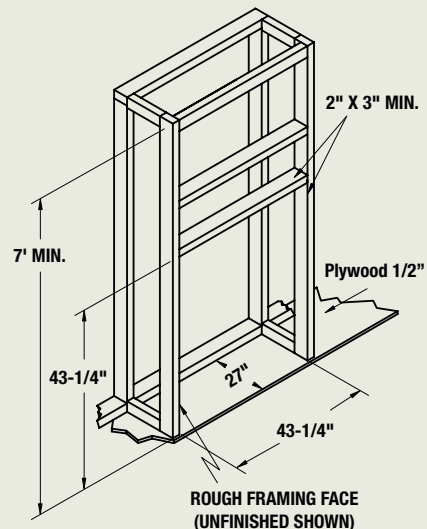
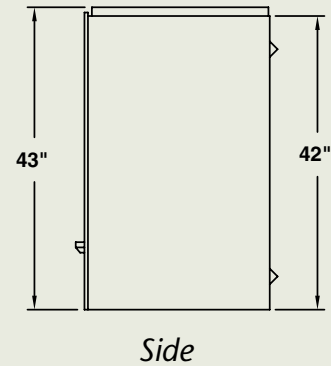
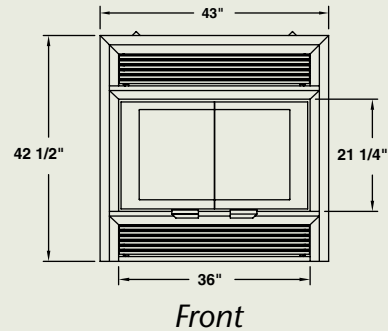
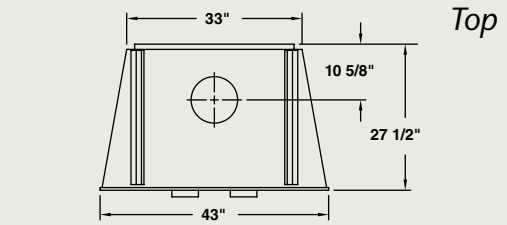


HEARTH PRODUCTS

© Lennox Industries Inc. 2010

Visit us at www.lennox.com, or contact us at 1-800-9-LENNOX.

SOLANA™ UNIT & FRAMING DIMENSIONS



IMPORTANT NOTES:

As with any heating appliance, fireplace or stove, this appliance is extremely hot during operation. Read and understand all operating instructions before using this appliance. For further information, consult your dealer.

Diagrams, illustrations and photographs are not to scale—consult installation instructions. Product designs, materials, dimensions, specifications, colors and prices are subject to change or discontinuance without notice.



100% recycled