



True louverless design with striking fire presentation, including tall, dramatic flames at a very low BTU/hr rate, delivers style and ambiance while helping reduce energy costs.



HEARTH PRODUCTS

MERIT® SERIES



MLDVT-40 shown with Red Rustic ceramic brick liner and square-pane Style View™ doors.

■ The Merit® Series louverless direct-vent (MLDVT) gas fireplaces deliver the clean, elegant presentation of a true louverless design. Inside, the highly efficient fireplaces produce tall, dramatic flames and a warm ember glow at a very low BTU/hr rate, reducing fuel consumption and costs without sacrificing fire quality. To complement, the MLDVT boasts an expansive glass viewing area that offers a front-row seat to the cozy entertainment. Available in four sizes, the luxury and style of a louverless fireplace makes the MLDVT an efficient and affordable option. ■

STANDARD FEATURES

Striking fire presentation at a very low BTU/hr rate saves energy costs without sacrificing quality

Louverless design delivers a clean, traditional masonry look that is quick and easy to install

Expansive viewing area presents the fire in the most dramatic and impressive way

Highly detailed logs replicate the natural appearance of delicately placed wood

Fully featured wrought iron grate

Flex gas line connector and shutoff valve

Standing pilot millivolt or electronic battery-backed-up gas valve systems work in a power failure and offer the greatest flexibility in installation

Easy accessibility to all control areas

Available in 30", 35", 40" and 45" sizes

Black powder-coat paint creates scratch-resistant surfaces for durability

Uses Secure Vent® rigid and Secure Flex® direct-vent systems to considerably reduce installation time and costs

Backed by the Good Housekeeping Seal

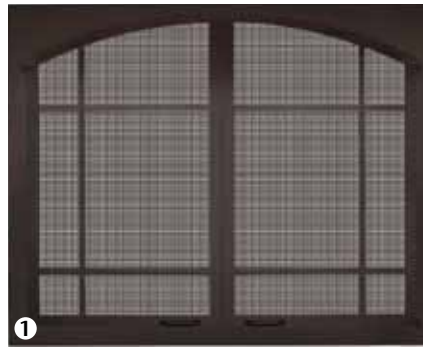
OPTIONAL ACCESSORIES

- ① Style View™ doors, arched and square-pane, in Black and Satin Pewter finishes
 - ② Fixed-screen panels***
 - ③ Ceramic brick liners in Buff Rustic, Red Rustic and Buff Herringbone
- Blower kits—including variable speed control version
- ④ Choice of remotes:
 - RCL-STAT (deluxe) On/Off wireless remote, thermostatic control, timer and clock
 - RCL (standard) On/Off wireless remote with LCD screen

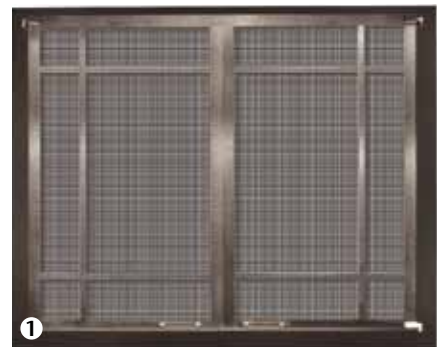
***Provide a barrier to prevent direct contact with hot glass surface.



Beautifully detailed logs, dramatic fire presentation and Red Rustic brick liner on 40" and 45" models



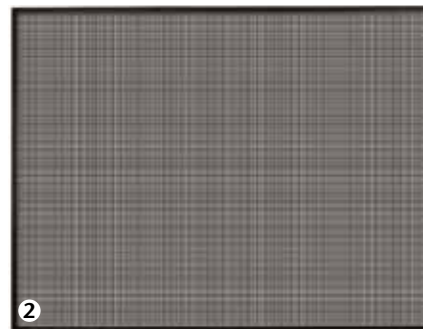
Arched-pane Black Style View doors



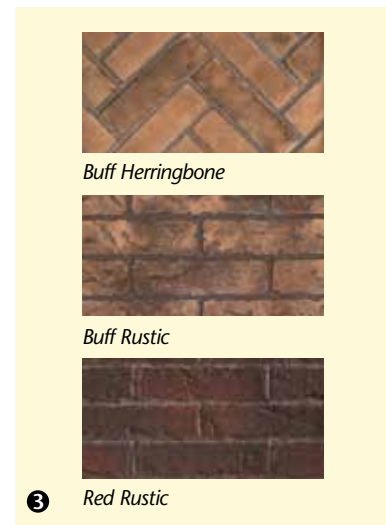
Square-pane Satin Pewter Style View doors



Deluxe and standard remote controls



Screen panel kit



Red Rustic

GAS FIREPLACE EFFICIENCIES

MODEL	BTU/INPUT/HR	CANADIAN ENERGUIDE RATING*	STEADY-STATE EFFICIENCY	AFUE**
MLDVT-30	9,000–13,500	NG-51% / LP-54%	NG-59% / LP-61%	NG-57% / LP-58%
MLDVT-35	11,400–16,000	NG-59% / LP-61%	NG-59% / LP-61%	NG-59% / LP-61%
MLDVT-40	14,000–20,000	NG-61% / LP-61%	NG-65% / LP-64%	NG-62% / LP-64%
MLDVT-45	17,000–23,000	NG-59% / LP-61%	NG-65% / LP-65%	NG-64% / LP-65%

*Intermittent ignition systems.

**Annual Fuel Utilization Efficiency (AFUE) is the recognized U.S. rating system for the total efficiency of heating products.

DIMENSIONS



MLDVT-30



MLDVT-35

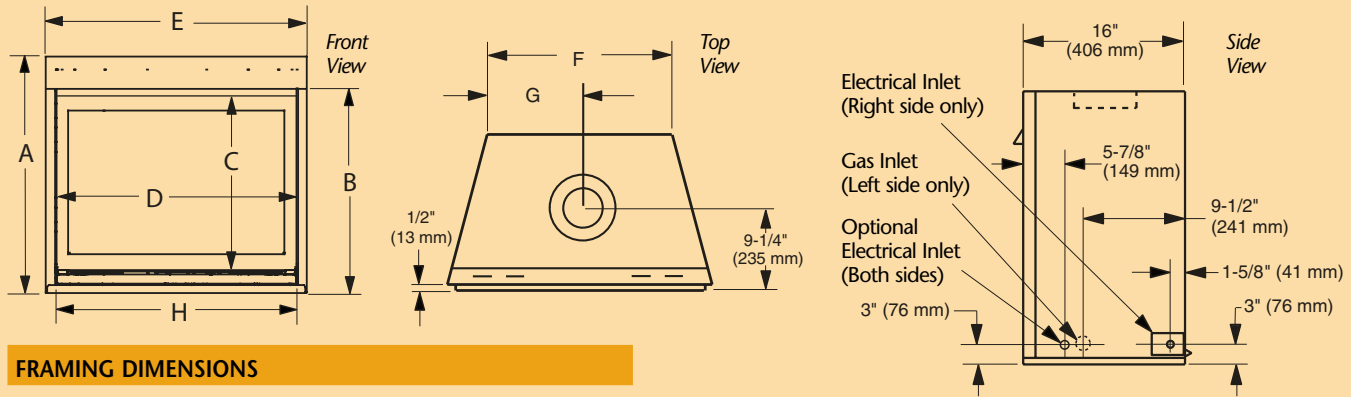


MLDVT-40



MLDVT-45

GAS FIREPLACE SPECIFICATIONS

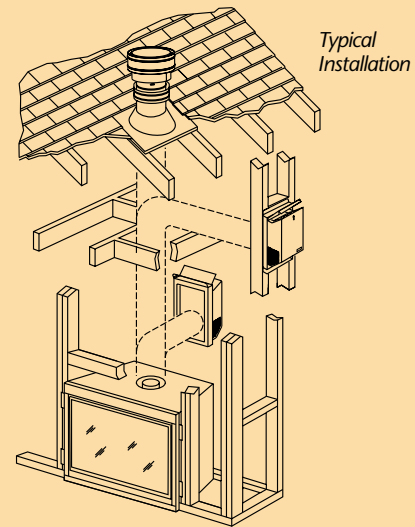


FRAMING DIMENSIONS

	WIDTH	HEIGHT	DEPTH
MLDVT-30	30-1/4" (768 mm)	35-1/4" (895 mm)	16" (406 mm)
MLDVT-35	35-1/4" (895 mm)	35-1/4" (895 mm)	16" (406 mm)
MLDVT-40	40-1/4" (1022 mm)	40-1/4" (1022 mm)	16" (406 mm)
MLDVT-45	45-1/4" (1149 mm)	40-1/4" (1022 mm)	16" (406 mm)

DIMENSIONS

	MLDVT-30	MLDVT-35	MLDVT-40	MLDVT-45
A	32-1/4" (819 mm)	32-1/4" (819 mm)	37-1/4" (946 mm)	37-1/4" (946 mm)
B	28-1/8" (715 mm)	28-1/8" (715 mm)	33-1/8" (841 mm)	33-1/8" (841 mm)
C	23-1/4" (587 mm)	23-1/4" (587 mm)	28-1/4" (714 mm)	28-1/4" (714 mm)
D	27" (686 mm)	32" (813 mm)	37" (940 mm)	42" (1067 mm)
E	30-1/4" (768 mm)	35-1/4" (895 mm)	40-1/4" (1022 mm)	45-1/4" (1149 mm)
F	20" (508 mm)	25" (635 mm)	30" (762 mm)	35" (889 mm)
G	10" (354 mm)	12-1/2" (317 mm)	15" (381 mm)	17-1/2" (445 mm)
H	28" (711 mm)	33" (838 mm)	38" (965 mm)	43" (1092 mm)



Typical Installation

On the cover: MLDVT-35 shown with Red Rustic ceramic brick liner.

PRODUCTS AND DEALERS YOU CAN COUNT ON

Lennox is committed to providing you with the finest hearth products available. Choosing the right dealer for your hearth needs is as important as choosing the right brand, and our dealers are a big reason why you can count on quality customer service when you call.

IMPORTANT NOTES:

As with any heating appliance, fireplace or stove, this appliance is extremely hot during operation. Read and understand all operating instructions before using this appliance. For further information, consult your dealer.

Local conditions, such as elevation, wind, vent configuration and choice of fuel will affect overall appearance of the fire and heating performance. Performance can also vary with home design and insulation, climate, condition and type of fuel used, appliance location, burn rate, accessories chosen, chimney installation and how the appliance is operated.

Diagrams, illustrations and photographs are not to scale—consult installation instructions. Product designs, materials, dimensions, specifications, colors and prices are subject to change or discontinuance without notice.

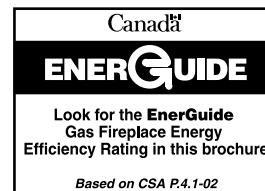
Approved and listed to U.S. and Canadian safety and performance standards – ANSI Z21.88/CSA 2.33 and CAN/CGA 2.17M91.

LENNOX

HEARTH PRODUCTS

© Lennox Industries Inc. 2011

Visit us at www.lennox.com, or contact us at 1-800-9-LENNOX.



Tested & Listed By **OMNI-TEST** Portland Oregon USA

OMNI-Test Laboratories, Inc. Report number: 116-F-54-5



100% recycled