



THE EG31
GAS FIREPLACE INSERT





THE EG31

GAS FIREPLACE INSERT

With Contemporary Surround Panel, Ceramic Brick Liner, and High Definition Log Set

Design Features

- Clean Face Look — No Louvers
- 50% Turn-Down Valve
- Glass Size: 435 sq. in.
- High Definition Log Set
- Ceramic Brick Liner
- Easy Access Burner Switch
- 130 CFM Room Fan (Variable Control)
- Limited Lifetime Warranty

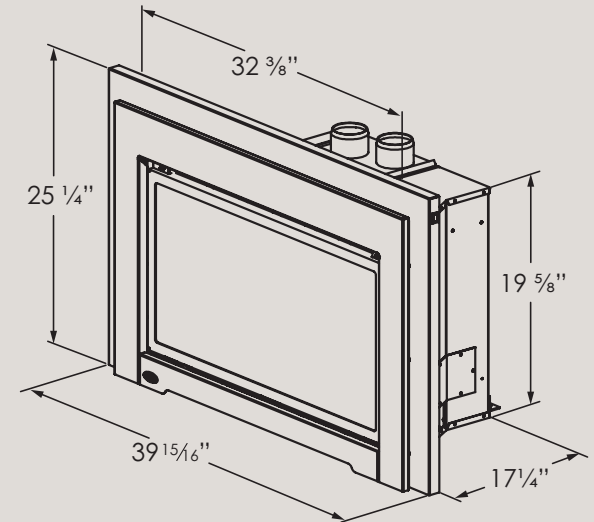
Available Options

- Hearth Shelf
- Stackable Riser
- Proflame Remote or Thermostat Control
- Surround Options:
 - Contemporary Surround 25.5" H x 40" W
 - Oversize Contemporary Surround 28.5" H x 40" W

Fireplace Details

BTU Maximum Input	30,000 BTU
BTU Minimum Output*	9,100 BTU
Heating Area	1,600 sq. ft.
Energide FE Rating (P4)	61%
AFUE Rating (DV)	71%
Steady State Efficiency	81%
Weight	130 lbs

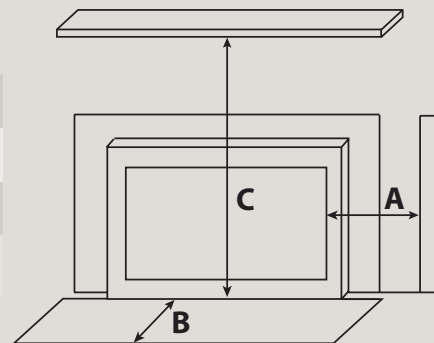
Unit Dimensions



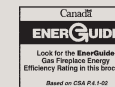
Clearance to Combustibles

A	Mantle pillar to the edge the of glass	9"
B	Minimum non-combustible surface in front of unit	11"
C	Floor to an 8" wide mantle	38"

Please see owner's manual for more information



*Formula = 30k BTU Max Output – 50% Turn Down × 61% P4 Rating



Manufactured by Sherwood Industries Ltd • Victoria, BC, Canada
 enviro.com • info@enviro.com • Printed in Canada, November 2015

