



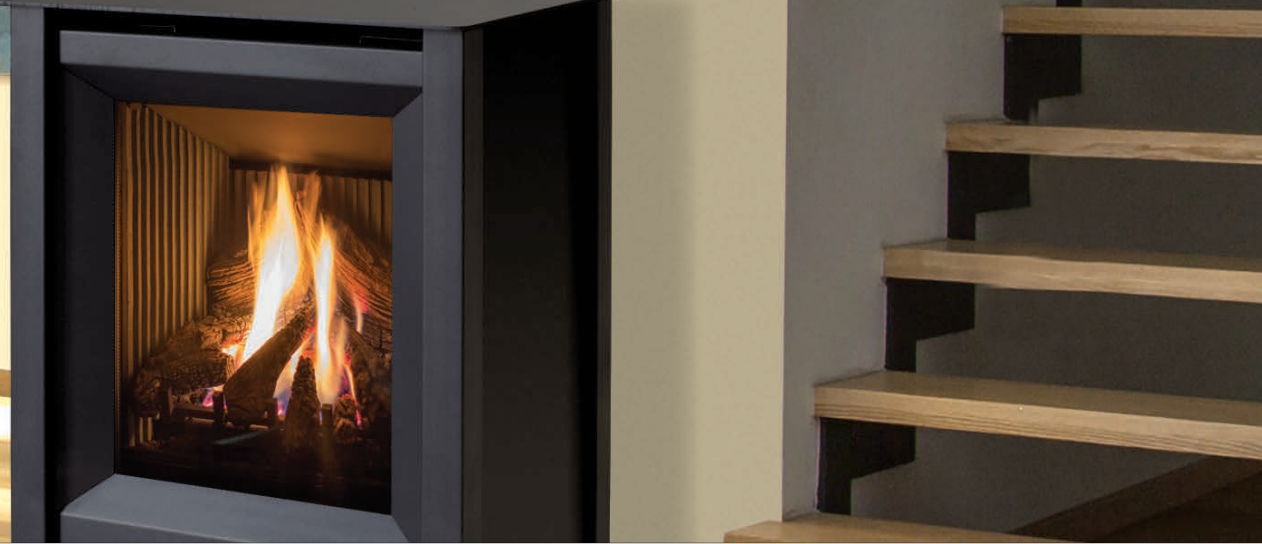
**S20**

FREESTANDING GAS STOVE



# S20

## FREESTANDING GAS STOVE



### Gas Stove Details

BTU Input	20,000 BTU's
Area Heated*	1,100 ft <sup>2</sup>
Turn Down	50%
EnerGuide FE Rating	74.5%
Venting	Top / Rear
Glass Size	310 in <sup>2</sup>
Fuel Compatibility	NG & LP

\* Efficiency and area heated will vary according to gas type and venting. Approved for sale in Canada and the United States.

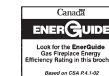
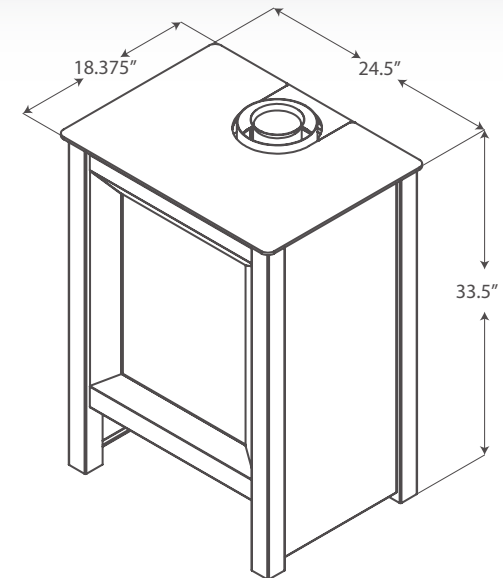
### Clearance to Combustables

Min. distance to the sides of the unit	8"
Min. distance to non-combustible surface behind	4"
Min. distance to non-combustible surface above	12"

Please see owner's manual for more information

### Gas Stove Details

- Nova and IPI editions
- Field conversion kit NG to LP
- Thermostat or remote compatible
- Ceramic logset
- NEW Charcoal fluted liner
- Top vent / rear vent convertible
- Heavy duty heat exchanger
- Easy access controls
- 150 CFM variable speed fan
- Clear View Safety Screen



Manufactured by Sherwood Industries Ltd ▪ Victoria, BC, Canada  
enviro.com ▪ info@enviro.com ▪ Printed in Canada, January 2016