



**S40**

FREESTANDING GAS STOVE





# S40

## FREESTANDING GAS STOVE

### Gas Stove Details

BTU Input	40,000 BTU's
Area Heated	2,000 ft <sup>2</sup>
Turn Down*	50%
EnerGuide FE Rating**	65%
Venting	Top
Glass Size	353 in <sup>2</sup>
Fuel Compatibility	NG & LP

\* Turn down is based on a 50% valve and AFUE efficiencies output.

\*\* Efficiency, emissions and area heated will vary according to venting, and location. Tested to P4.1-15.

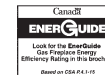
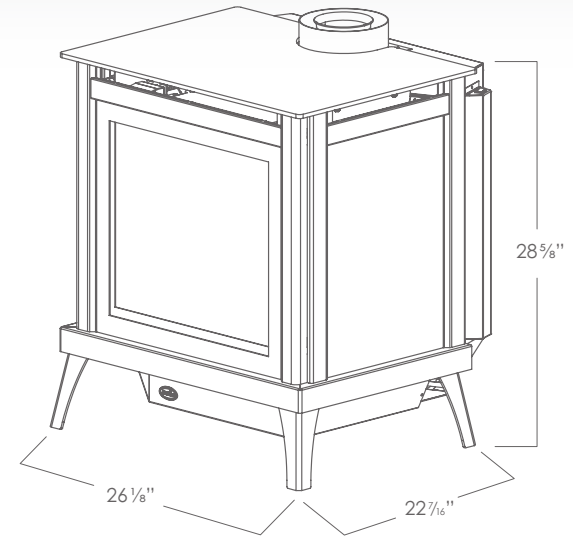
### Clearance to Combustibles

Min. distance to the sides of the unit	11 3/8"
Min. distance to non-combustible surface behind	5"
Min. distance to non-combustible surface above	28 5/8"

Please see owner's manual for most current information

### Gas Stove Details

- Heavy duty heat exchanger
- 9pc ceramic log set
- Charcoal fluted liner
- 5/16" steel plate top
- Ceramic burner
- Thermostat or remote compatible
- Easy access controls
- Nova valve
- 150 CFM variable speed fan
- Clear View safety screen
- Optional B vent adaptor



Manufactured by Sherwood Industries Ltd ▪ Victoria, BC, Canada  
 enviro.com ▪ info@enviro.com ▪ Printed in Canada, May 2016