

BERLIN LIGHTS

VENT-FREE GAS FIREPLACE SYSTEMS
OUTDOOR



astria
FIREPLACES®

Contemporary
Fireplace
Design Collection



FEATURED Berlin Lights fireplace with green glass media

BERLIN LIGHTS

Polished style combined with adaptability and versatility are the hallmarks of this unique fireplace. An impressive 43" span in a modern oblong shape sets Berlin Lights apart from all others. This stainless steel fireplace features a lively blazing flame array with ambient halogen lighting and glass pebble media. The controls are cleverly concealed to maintain a clean, striking visual impact.

Glass Media

Choose from *Blue*, *Amber*, *Speckled Orange* or *Clear* to complement your décor.



Blue



Amber



Speckled Orange



Clear



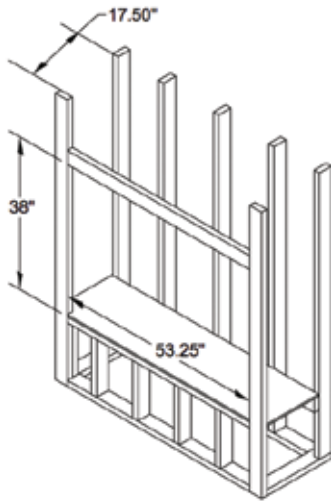
Remote Control (included)

EXCLUSIVE FEATURES

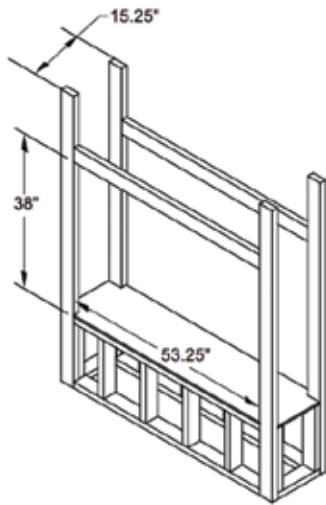
- ◆ 43" front open linear configuration
- ◆ Transform your fireplace into a see-through model using the optional conversion kit
- ◆ Gas controls are conveniently hidden in the fireplace floor
- ◆ Electronic ignition with battery backup to operate in the event of a power outage
- ◆ Dancing yellow flames
- ◆ Three flame settings for precise heat control
- ◆ Mood enhancing fireplace interior lighting
- ◆ Includes green glass media and glass weather shield
- ◆ Remote control included
- ◆ Stainless steel construction for long lasting outdoor use
- ◆ Lifetime Limited Warranty

FRAMING SPECIFICATIONS

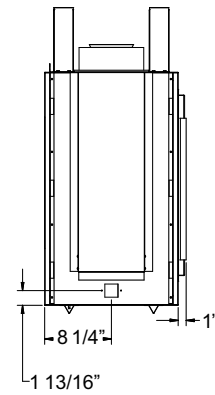
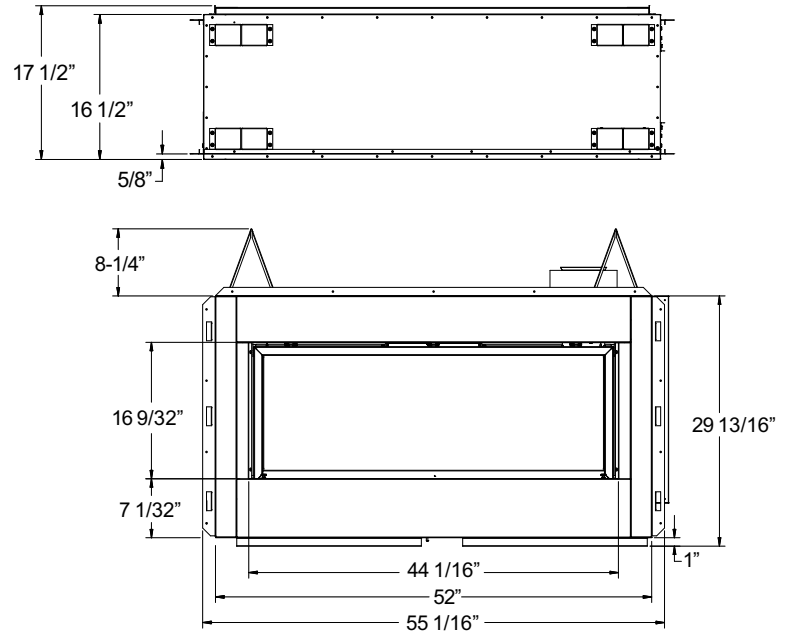
ONE SIDED APPLICATION



SEE-THROUGH APPLICATION



APPLIANCE SPECIFICATIONS



IMPORTANT NOTES:

As with any fireplace, this appliance is extremely hot during operation. Read and understand all operating instructions before using this appliance. For further information, consult your dealer.

Local conditions, such as elevation and choice of fuel will affect overall appearance of the fire and heating performance. Performance can also vary with home design and insulation, ceiling height, accessories chosen and appliance location.

Diagrams, illustrations and photographs are not to scale — consult installation instructions. Product designs, materials, dimensions, specifications, colors and prices are subject to change or discontinuance without notice.

FIREPLACE BTU OPERATING RANGE

MODEL	FUEL	BTU/HR
BERLIN LIGHTS	NG	25,000-39,000
BERLIN LIGHTS	LP	29,000-37,000

astria
FIREPLACES®

© 2015 Innovative Hearth Products
785478M 01/15

Visit us online



Astria.us.com

