



CAPELLA

ELECTRIC FIREPLACES





FEATURED Capella with Charred Split Oak Log Set and integrated grate and glowing ember bed

CAPELLA

Charred “split oak” log set and glowing ember bed image deliver an elegant fire presentation. An adjustable flame height, intense embers and smoke-reflective interior offer a realistic flame presentation. Standard 5,000-BTU heater with 110V (10,000-BTU with 220V) delivers clean relaxing heat on demand. Easy access manual controls, and wall switch and thermostat-ready.



Blue Flame



Yellow Flame

Decorative Front Face Panels

Options



Interlocking Arch Face Panel with Screen



Mission Style Face Panel with Screen

EXCLUSIVE FEATURES

- ◆ Available in 33" and 36" circulating models
- ◆ Unique multi-colored flame presentation for greater realism
- ◆ LED lights provide energy efficiency and long life
- ◆ Standard 5,000-BTU's with 110V (10,000-BTU with 220V thermostatically controlled heater delivers relaxing heat on demand
- ◆ Plug-in ready with standard three pronged 110V grounded power cord for easy installation
- ◆ Charred split oak log set with integrated grate and glowing ember bed
- ◆ Mesh fire screens
- ◆ Full function remote control (heat, flames, embers)
- ◆ 1 Year Limited Warranty

Fixed Glass Enclosure Panels



Three-Piece Perimeter Trim Kits

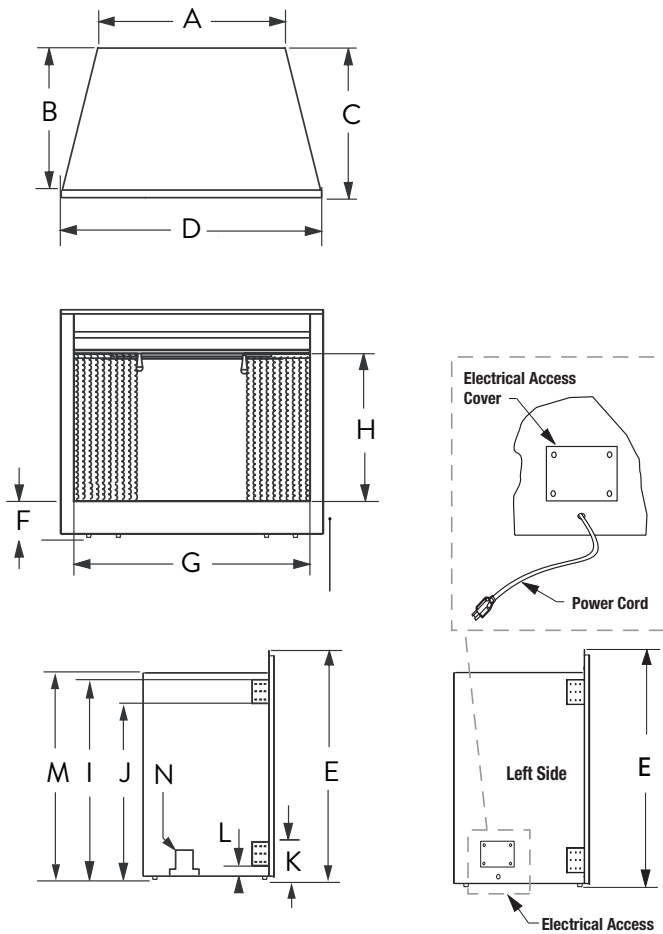


Brushed Stainless



Black

APPLIANCE SPECIFICATIONS



| | CAPELLA 33 | CAPELLA 36 |
|---|-------------------|-------------------|
| A | 21-1/8" | 24" |
| B | 13-3/4" | 13-3/4" |
| C | 14-7/8" | 14-7/8" |
| D | 34-1/2" | 37-5/8" |
| E | 32" | 32" |
| F | 5-1/8" | 5-1/8" |
| G | 33" | 36" |
| H | 21-1/8" | 21-1/8" |
| I | 27-1/2" | 27-1/2" |
| J | 24-1/2" | 24-1/2" |
| K | 5-1/4" | 5-1/4" |
| L | 2-1/4" | 2-1/4" |
| M | 29-3/4" | 29-3/4" |
| N | Electrical Access | Electrical Access |

FRAMING SPECIFICATIONS

| | CAPELLA 33 | CAPELLA 36 |
|--------|------------|------------|
| WIDTH | 35-1/4" | 38-3/4" |
| HEIGHT | 32" | 32" |
| DEPTH | 15-1/8" | 15-1/8" |

FIREPLACE EFFICIENCIES

| MODEL | TYPE | VOLTAGE | BTU/HR |
|--------------|----------|---------|--------|
| CAPELLA33/36 | Electric | 110 | 5,000 |
| CAPELLA33/36 | Electric | 220 | 10,000 |

IMPORTANT NOTES:

Heating element not intended for continuous use.

As with any fireplace, this appliance is extremely hot during operation. Read and understand all operating instructions before using this appliance. For further information, consult your dealer.

Diagrams, illustrations and photographs are not to scale—consult installation instructions. Product designs, materials, dimensions, specifications, colors and prices are subject to change or discontinuance without notice.

astria
FIREPLACES®

© 2015 Innovative Hearth Products
785434M 01/15

Visit us online



Astria.us.com

