

CRAFTSMAN

WOOD BURNING FIREPLACES



astria
FIREPLACES®

Traditional
Fireplace
Design Collection



FEATURED Craftsman fireplace with White Stack Refractory Panels

CRAFTSMAN

The Craftsman sets a new standard for wood burning beauty, performance, and convenience. Elements of quality and detail such as the realistic textured refractory panels and hidden pockets to tuck the screens out of sight create the setting for a beautiful and inviting centerpiece in your home.



Bi-fold glass doors

Trim Finishes



Black



Brushed Brass



Platinum

Interior (Required)

Choose from White Stacked or White Herringbone Refractory Panels.



White Stacked



White Herringbone

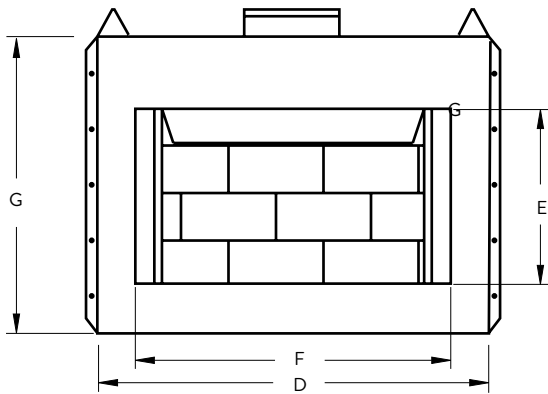
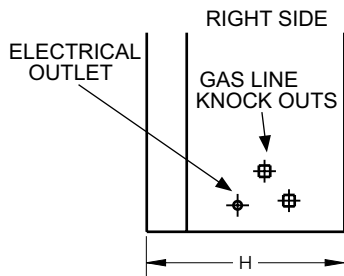
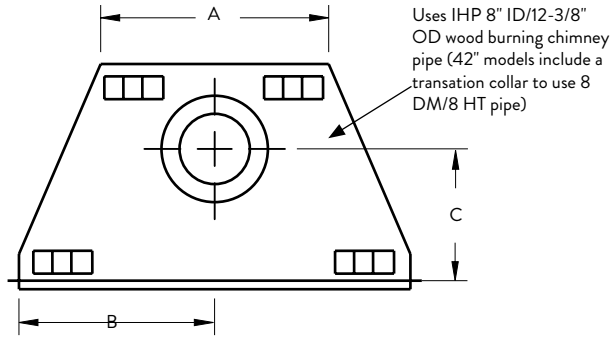
ADDITIONAL OPTIONS

- ◆ Bi-fold Glass doors
- ◆ Perimeter trim
- ◆ Fan kit (circulating models only)

EXCLUSIVE FEATURES

- ◆ Available in 36" and 42" models
- ◆ Radiant smooth-faced or circulating rolled louver models
- ◆ Fully insulated firebox (on select models) for increased performance in colder climates
- ◆ White refractory panels in stacked or herringbone patterns
- ◆ Heavy duty log grate
- ◆ Easy access damper control
- ◆ Screens retract into hidden screen pockets
- ◆ Adjustable outside air damper
- ◆ Fan kit available (for circulating models only)
- ◆ Durable textured powder coat finish
- ◆ Uses IHP 8 DM (1700°) double wall air cooled wood burning chimney
- ◆ Uses IHP 8 HT (2100°) heavy gauge double wall air cooled wood burning chimney recommended for cold climates (required for Canada)
- ◆ Cold air collar kit available
- ◆ 20 Year Limited Warranty

APPLIANCE SPECIFICATIONS



CRAFTSMAN 36 CRAFTSMAN 42

A	29"	36"
B	20-1/2"	24"
C	12-1/2"	11-3/4"
D	41"	48"
E	21"	24"
F	35"	42"
G	37"	41"
H	21"	22-1/2"

IMPORTANT NOTES:

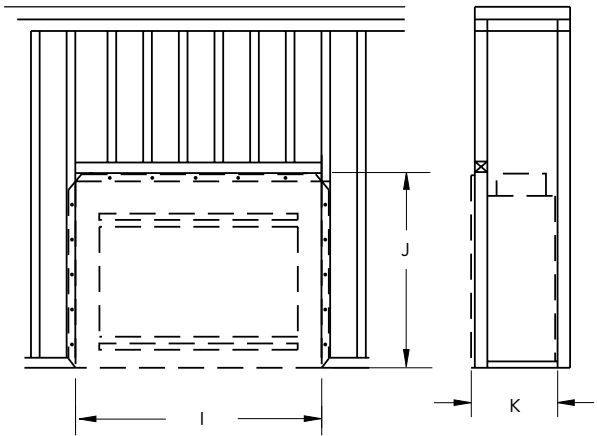
As with any fireplace, this appliance is extremely hot during operation. Read and understand all operating instructions before using this appliance. For further information, consult your dealer.

Local conditions, such as elevation, wind, vent configuration and choice of fuel will affect overall appearance of the fire and heating performance. Performance can also vary with home design and insulation, climate, condition and type of fuel used, appliance location, burn rate, accessories chosen, chimney installation and how the appliance is operated.

Diagrams, illustrations and photographs are not to scale—consult installation instructions. Product designs, materials, dimensions, specifications, colors and prices are subject to change or discontinuance without notice.

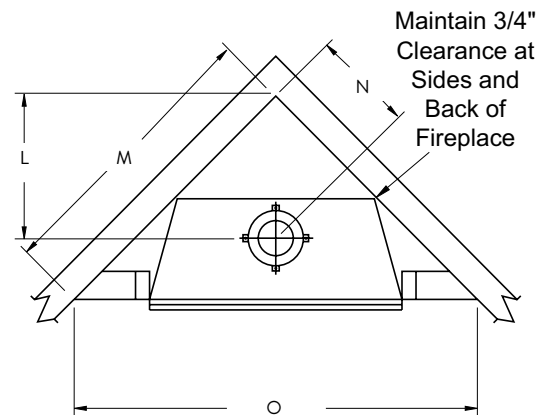
FRAMING SPECIFICATIONS

	CRAFTSMAN 36	CRAFTSMAN 42
I	41-3/4"	49-3/4"
J	41-3/4"	47-1/4"
K	21-7/8"	23-1/2"



CORNER FRAMING SPECIFICATIONS

	CRAFTSMAN 36	CRAFTSMAN 42
L	24-7/16"	28"
M	52-1/4"	59-5/16"
N	17-5/16"	19-1/2"
O	73-13/16"	83-13/16"



Approved for use with European Copper and Chimney Classics chimney tops, which improve performance and add an elegant touch.

astria
FIREPLACES®

© 2015 Innovative Hearth Products
785354M 01/15

Visit us online



Astria.us.com

