



LADERA

EPA WOOD BURNING FIREPLACES



astria  
FIREPLACES®

*Traditional*  
Fireplace  
Design Collection





# SHOW YOURSELF IN

---

Create a room that begs you to stick  
around, *sit down and relax.*

FEATURED *Ladera fireplace with White Stacked Textured Panels*



*FEATURED Ladera fireplace shown with White Stacked Textured Panels*

## EXCLUSIVE FEATURES

- ◆ Circulating radiant design features ceramic glass for optimum heat transfer
- ◆ EPA phase II certified wood heater
- ◆ 2.0 cubic foot insulated firebox that accepts up to 18" log size for increased performance
- ◆ White stacked textured refractory panels with integrated ash lip and decorative cast iron log retainer
- ◆ Air combustion control for variable heat output with air boost for faster wood ignition during startup
- ◆ Includes insulated outside air kit (required for use)
- ◆ 79.8% thermal efficiency and heats up to 1,500 square feet\*
- ◆ Efficient air wash system that keeps glass clean
- ◆ Steel door with heat resistant door handle that stays cool to the touch
- ◆ Includes heat activated 175 CFM UZY-6 variable speed blower for time-delayed heat distribution
- ◆ Dual ducted gravity kit and/or thermostatically controlled forced air kit available (three maximum outlets)
- ◆ Durable high temperature paint finish
- ◆ Uses SCIL (ACBI) 6" air cooled wood burning chimney
- ◆ Uses SCIL (ASHT / HT6103 / S-2100 / HT6000) 6" insulated wood burning chimney
- ◆ Limited Lifetime Warranty

INTERIOR (STANDARD)

Choose from two elegant and durable cast-surround kits



White Stacked Textured Panels



Cast Iron Surround Kit

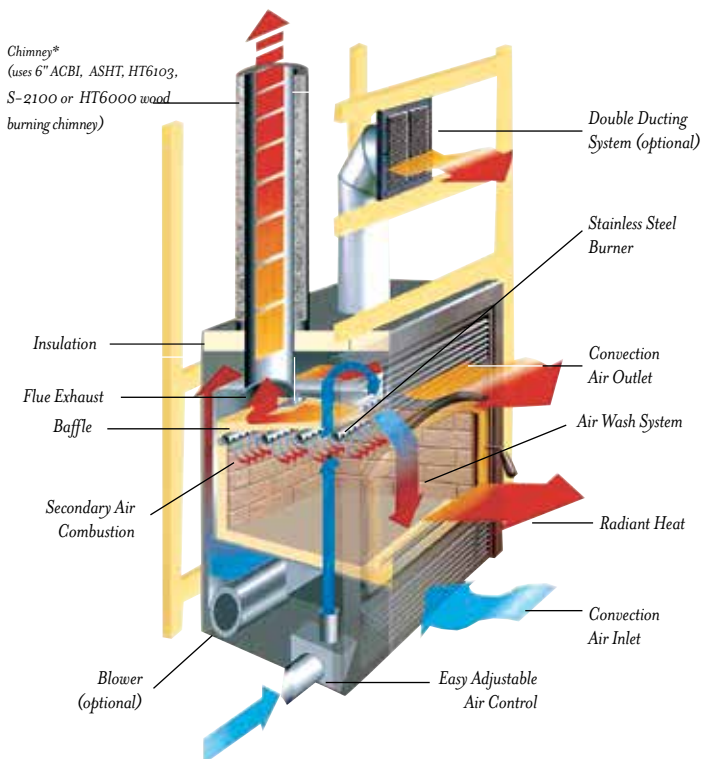


Decorative Keystone

MULTI-ROOM HEATING OPTIONS

The Ladera wood burning fireplace can be used to heat multiple rooms within your home with our gravity vent kit option. Through natural convection or with the aid of the heat-circulating blower, warm air can be directed up to 10 feet away into one or two adjacent rooms, giving you the flexibility to heat up to three areas. Heat the family room with the fireplace, and the dining room and upstairs bedroom with the gravity vent kit. You can also choose to more efficiently heat a large space by directing heat through multiple vents.

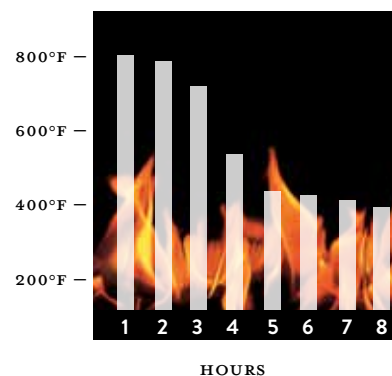
ENGINEERING FEATURES AND SPECIFICATIONS



OPTIONS/ACCESSORIES

- Cast Surround Kit
- Decorative Keystone (Cast Surround Kit Required)
- Rigid Fire Screen
- Double Duct Gravity Kit
- Forced Air Kit
- Variable Speed Switch for Blower

BURN RATES\*

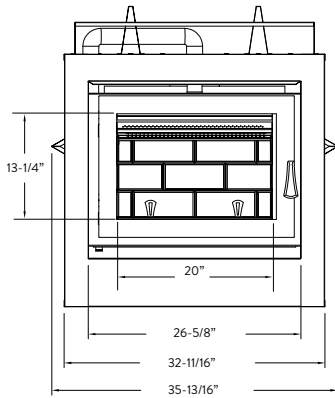


\*Air-cooled chimney not recommended for use at elevations above 4,000 feet or in climates where temperatures will fall below 32° Fahrenheit (0° Celsius).

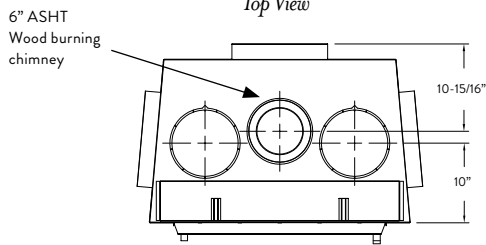
\*Results obtained by burning 25 lbs. of dry maple wood. (one hour pre-heating)

## APPLIANCE SPECIFICATIONS

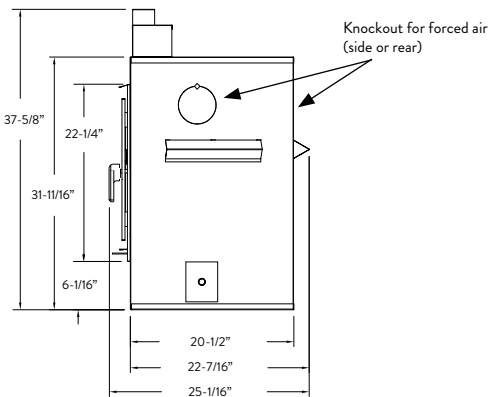
Front View



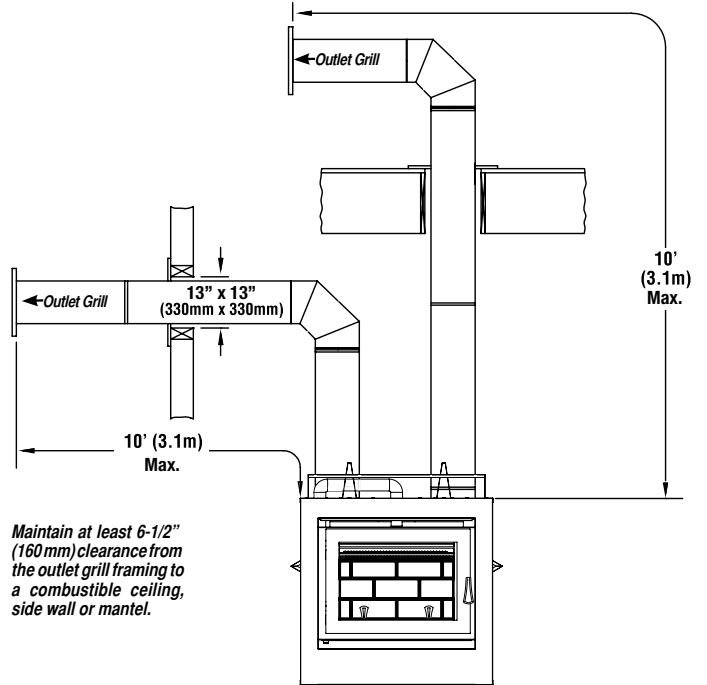
Top View



Left Side View



## INSTALLATION SPECIFICATIONS



Maintain at least 6-1/2" (160mm) clearance from the outlet grill framing to a combustible ceiling, side wall or mantel.

## PRODUCT SPECIFICATIONS

Glass Viewing Area (W x H)	20" x 13-1/4"
Firebox Interior (W x H x D+)	19-1/2" x 13-1/4" x 12"
Interior Cubic Feet	2.0
Maximum Log Size	18"
Chimney Size	6"
EPA Rating	4.8 grams/hr
BTU's	50,000
Heating Capacity (up to)	1,500 sq. ft.
Thermal Efficiency	79.8%
Blower	175 CFM
Weight	215 lbs.

+Measured in front of door

### IMPORTANT NOTES:

As with any fireplace, this appliance is extremely hot during operation. Read and understand all operating instructions before using this appliance. For further information, consult your dealer.

Local conditions, such as elevation, wind, vent configuration and choice of fuel will affect overall appearance of the fire and heating performance. Performance can also vary with home design and insulation, climate, condition and type of fuel used, appliance location, burn rate, accessories chosen, chimney installation and how the appliance is operated.

Diagrams, illustrations and photographs are not to scale—consult installation instructions. Product designs, materials, dimensions, specifications, colors and prices are subject to change or discontinuance without notice.

astria  
FIREPLACES®

© 2015 Innovative Hearth Products

785372M 01/15

Visit us online



Astria.us.com

