



# PLANTATION

WOOD BURNING FIREPLACES



astria  
FIREPLACES®

*Traditional*  
Fireplace  
Design Collection



# SHOW YOURSELF IN

Create a room that begs you to stick  
around, *sit down and relax.*

*FEATURED Plantation with Ivory Split Herringbone masonry firebrick.*



*Heavy duty log grate and robust forged andirons*





*FEATURED Plantation with Warm Red Split Herringbone Mosaic Masonry™ brick*

Our luxury premium Wood Burning Fireplace with our tallest viewing area and features that provide a distinctive, realistic masonry look that creates a focal point in any room.

## **EXCLUSIVE FEATURES**

- ◆ Radiant design with a 42" tall opening to provide an exceptional view of the fire
- ◆ Tall "Rumford" design with pitched rear wall for maximum radiant heat output
- ◆ Flush hearth floor design (hearth spacer required for combustible floor installations)
- ◆ Massive smoke dome for reliable operation
- ◆ Fully insulated firebox for increased performance in colder climates
- ◆ Split brick herringbone pattern in ivory or warm red
- ◆ Heavy duty cast iron log grate with rugged forged andirons
- ◆ Easy access damper control
- ◆ Dual (left hand/right hand) outside air kits available for maximum performance
- ◆ Uses IHP 12 DM (1700°) double wall air cooled wood burning chimney
- ◆ Uses IHP 12 HT (2100°) heavy gauge double wall air cooled wood burning chimney, recommended for cold climates (required for Canada)
- ◆ 20 Year Limited Warranty



*FEATURED* Plantation fireplace and its large heavy duty log grate and robust forged andirons

Astria's **Mosaic Masonry™ Brick** will dramatically change the way you think about fireplaces. Our technology combines the appearance of a traditionally-crafted masonry fireplace with modern, pre-engineered assembly techniques and quality components to create a fireplace that is unparalleled in its beauty and value.

**MOSAIC MASONRY™ BRICK (REQUIRED)**

*Choose from two, realistic brick colors that deliver the true look of masonry craftsmanship.*



*Ivory Split Brick Herringbone*



*Warm Red Split Brick Herringbone*



*Mosaic Masonry™  
Arched Wood Nook*



*Mosaic Masonry™  
Under Hearth Wood Nook*

**Options**

**DOORS (OPTIONAL)**  
*Bi-fold ceramic glass doors*



*Bronze*



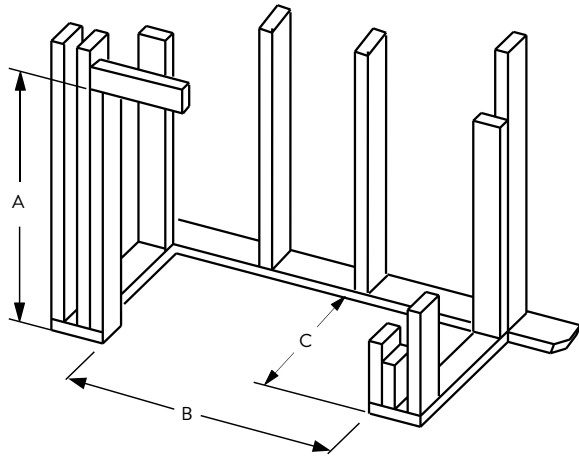
*Ebony*



*Pewter*

*Heavy duty ceramic-glass doors are expertly crafted and hand-finished in three spectacular options.*

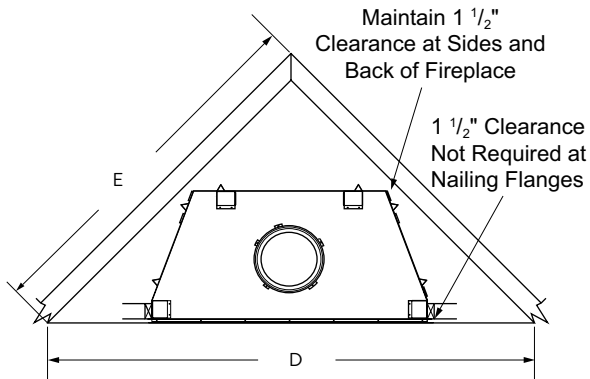
## FLAT WALL FRAMING SPECIFICATIONS



### PLANTATION 48

A	76-3/8" with hearth spacers	71-1/2" with no spacers
B	60-7/8"	
C	31-5/8"	

## CORNER FRAMING SPECIFICATIONS



### PLANTATION 48

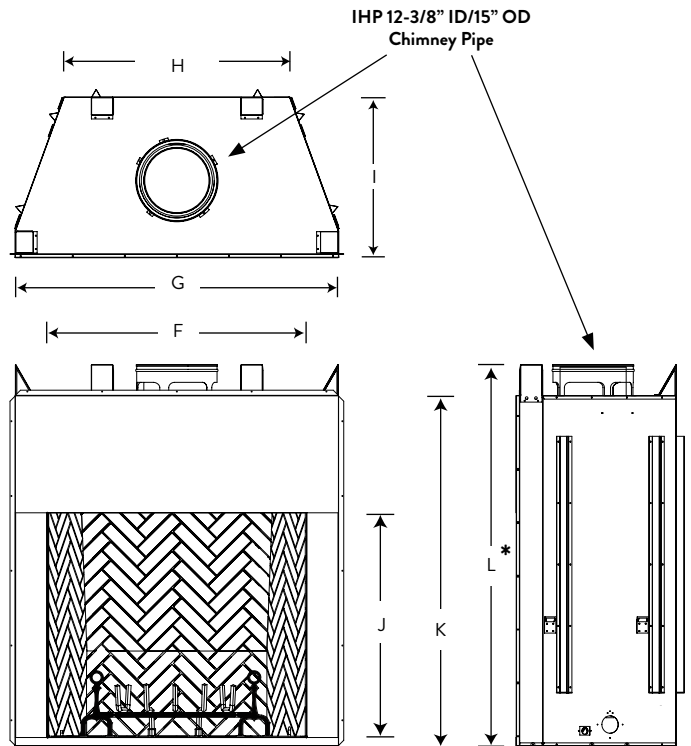
D	107-5/16"
E	78-7/8"

#### IMPORTANT NOTES:

As with any heating appliance, fireplace or stove, this appliance is extremely hot during operation. Read and understand all operating instructions before using this appliance. For further information, consult your dealer. Local conditions, such as elevation, wind, vent configuration and choice of fuel will affect overall appearance of the fire and heating performance. Performance can also vary with home design and insulation, climate, condition and type of fuel used, appliance location, burn rate, accessories chosen, chimney installation and how the appliance is operated.

Diagrams, illustrations and photographs are not to scale—consult installation instructions. Product designs, materials, dimensions, specifications, colors and prices are subject to change or discontinuance without notice.

## APPLIANCE SPECIFICATIONS



### PLANTATION 48

F	48"
G	60-5/8"
H	42-3/8"
I	30"
J	42"
K	65-3/4"
L	71-1/2" * Add 4-3/4" for hearth spacer on combustible floors



Approved for use with European Copper and Chimney Classics chimney tops, which improve performance and add an elegant touch.

**astria**  
FIREPLACES®

© 2015 Innovative Hearth Products

785350M 01/15

Visit us online



Astria.us.com

