



SENTINEL

DIRECT VENT GAS FIREPLACES



astria
FIREPLACES®

Traditional
Fireplace
Design Collection



FEATURED Sentinel shown with White Stacked Refractory Panels

SENTINEL

The Sentinel Series direct vent gas fireplaces deliver a clean-face design featuring one of the tallest viewing areas, realistic fire and a true masonry-built look. Combined with a large variety of options, the Sentinel Series will create a warm and inviting feeling in your home.



FEATURED Sentinel shown with White Stacked Panels

INTERIOR (REQUIRED)

Choose from four realistic refractory panels that deliver the true look of masonry craftsmanship.



White Herringbone



White Stacked



Red Herringbone



Red Stacked

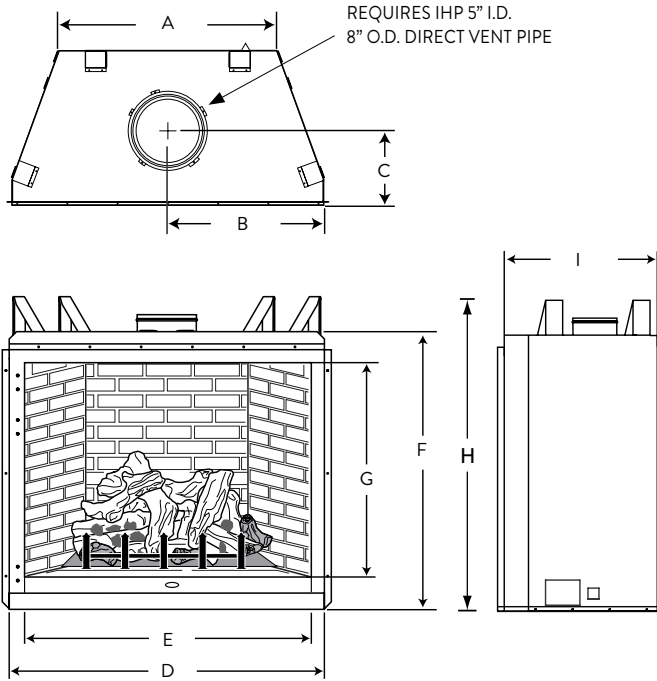
EXCLUSIVE FEATURES

- ◆ Available in 36" and 42" models
- ◆ Conveniently located gas controls for easy installation and operation
- ◆ Energy saving electronic controls with seamless battery backup provide continued operation in the event of a power outage
- ◆ Clean-face design allows more flexibility for a custom look
- ◆ Tall opening provides an exceptional view of the flame
- ◆ Multi-level burner produces tall, dancing flames with beautiful ember bed
- ◆ Standard tempered glass and 2015 ANSI barrier compliant
- ◆ Ceramic fiber log set with cast-iron grate
- ◆ High definition refractory panels available in multiple styles and colors
- ◆ Includes on/off remote control
- ◆ Optional blower available
- ◆ Limited Lifetime Warranty



Remote included

APPLIANCE SPECIFICATIONS



| | SENTINEL 36 | SENTINEL 42 |
|---|-------------|-------------|
| A | 29-1/8" | 34-3/4" |
| B | 20-1/2" | 24" |
| C | 11-7/8" | 13-5/8" |
| D | 41" | 48" |
| E | 35" | 42" |
| F | 40" | 44" |
| G | 30" | 33-3/4" |
| H | 44" | 48" |
| I | 21-1/8" | 25-1/8" |

FIREPLACE EFFICIENCIES – Listed to ANSI Z21.50 as a decorative gas appliance.

| MODEL | FUEL | BTU/HR | P4 / ENERGUIDE* |
|-------------|------|--------|-----------------|
| SENTINEL 36 | NG | 33,500 | 34-35% |
| SENTINEL 36 | LP | 31,000 | 32-45% |
| SENTINEL 42 | NG | 41,000 | 24.67% |
| SENTINEL 42 | LP | 37,000 | 22.79% |

*Intermittent ignition systems.

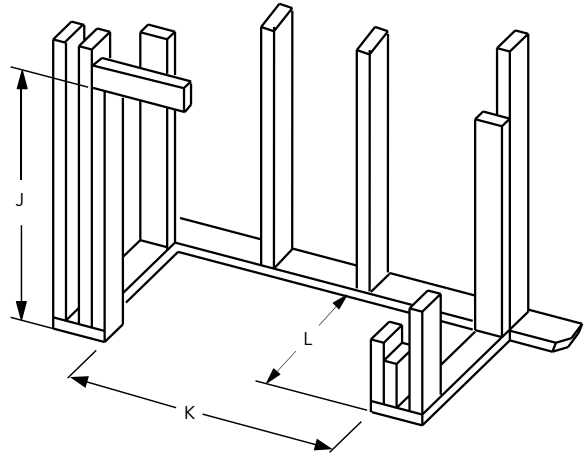
IMPORTANT NOTES:

As with any fireplace, this appliance is extremely hot during operation. Read and understand all operating instructions before using this appliance. For further information, consult your dealer.

Local conditions, such as elevation, wind, vent configuration and choice of fuel will affect overall appearance of the fire and heating performance. Performance can also vary with home design and insulation, climate, condition and type of fuel used, appliance location, burn rate, accessories chosen, chimney installation and how the appliance is operated.

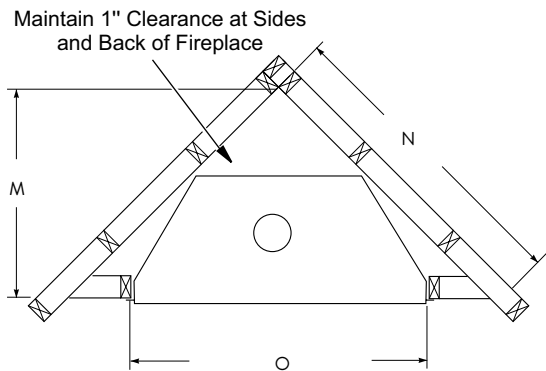
Diagrams, illustrations and photographs are not to scale—consult installation instructions. Product designs, materials, dimensions, specifications, colors and prices are subject to change or discontinuance without notice.

FLAT WALL FRAMING SPECIFICATIONS



| | SENTINEL 36 | SENTINEL 42 |
|---|-------------|-------------|
| J | 44" | 48" |
| K | 41-1/2" | 48-1/8" |
| L | 22-1/8" | 26-1/8" |

CORNER FRAMING SPECIFICATIONS



| | SENTINEL 36 | SENTINEL 42 |
|---|-------------|-------------|
| M | 36-3/8" | 43-3/8" |
| N | 51-3/8" | 61-3/4" |
| O | 41-1/2" | 48-1/2" |



Approved for use with European Copper and Chimney Classics chimney tops, which improve performance and add an elegant touch.

astria
FIREPLACES®

© 2015 Innovative Hearth Products
785612M 01/15

Visit us online



Astria.us.com

