



VEGA

VENT-FREE GAS FIREBOXES



Traditional
Fireplace
Design Collection

TRULY

TIMELESS

astria
FIREPLACES™



FEATURED Vega with White Stacked Refractory Panels and Boulder Mountain Vent-Free Gas Log Set

VEGA

The ultimate choice in Vent-free firebox design, the Vega offers the style and versatility demanded by today's homeowners. Standard features include multiple interior options and circulating smooth-faced or louvered models for increased performance when using a blower. Combined with a Bison Mountain (shown here) vent-free gas log set, the Vega is the choice for affordable comfort without compromise.



Vega with optional Timber Oak Vent-Free Gas Log Set and Oak Cabinet Mantel

Options

Interior (Required)

Choose from a variety of refractory panels or porcelain liners.



Red Stacked



White Stacked



Red Herringbone



Vintage



Black Reflective Porcelain Liner

ADDITIONAL OPTIONS

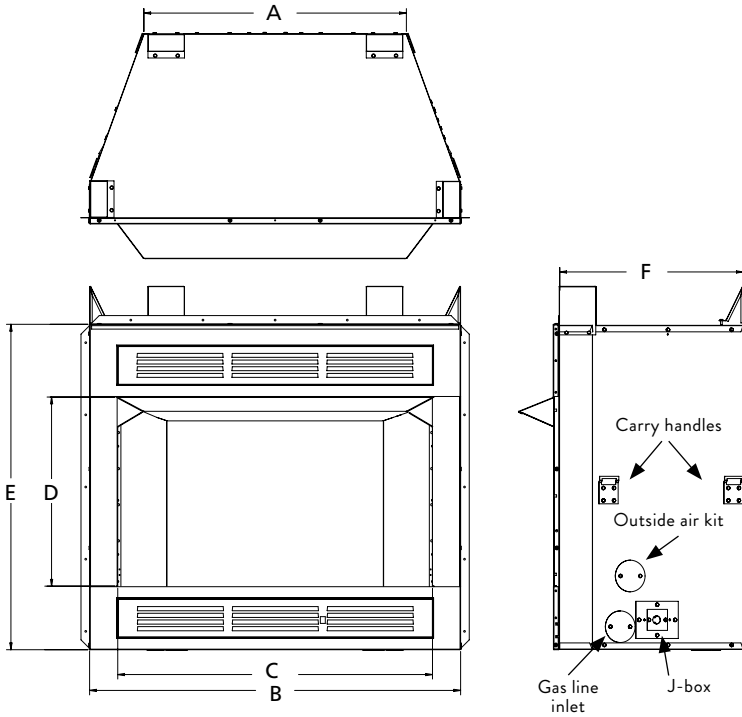
- ◆ Blower kits (louvered models only)
- ◆ Perimeter trim kits in a variety of finishes
- ◆ Outside air kit
- ◆ Wood cabinet mantels
- ◆ Vent-free gas logs

EXCLUSIVE FEATURES

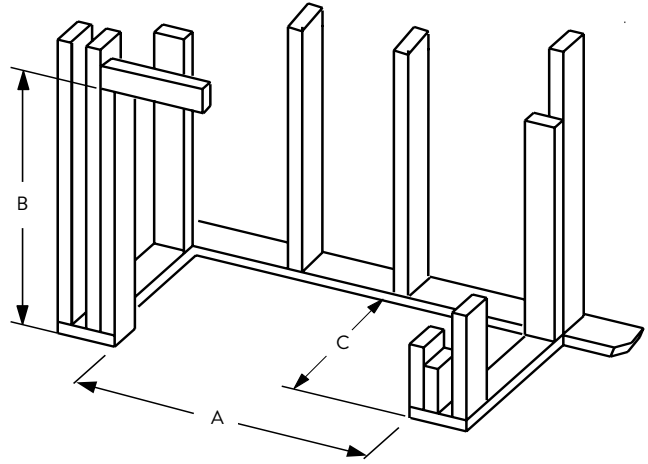
- ◆ Available in 32", 36" and 42" circulating radiant and louvered models
- ◆ 32" model has an 18" tall opening and accepts 18" vent-free gas logs
- ◆ 36" model has an 21" tall opening and accepts up to 24" vent-free gas logs
- ◆ 42" model has an 24" tall opening and accepts up to 30" vent-free gas logs
- ◆ Refractory panels in a variety of colors and patterns, as well as Black Reflective Porcelain Liners available
- ◆ Standard heat deflection hood (required)
- ◆ Screens retract into hidden screen pockets
- ◆ Optional outside air kit
- ◆ Optional blower available for all models
- ◆ Standard J-Box kit installed in firebox
- ◆ Durable textured powder coat finish
- ◆ Lifetime Limited Warranty

APPLIANCE SPECIFICATIONS

Louvered models shown. Radiant models available.



FRAMING SPECIFICATIONS



	VEGA 32	VEGA 36	VEGA 42
A	34-1/2"	41-3/8"	48-1/4"
B	36-5/8"	40-1/4"	43-3/4"
C	16-5/8"	21-1/8"	23-1/2"

	VEGA 32	VEGA 36	VEGA 42
A	22-7/16"	29-1/8"	36-3/16"
B	34-1/2"	41-1/8"	48-3/16"
C	29-3/8"	34-7/8"	41-7/8"
D	18-1/4"	21"	24"
E	32-1/4"	36-1/16"	40"
F	16-9/16"	21-1/16"	23-1/4"

IMPORTANT NOTES:

As with any fireplace, this appliance is extremely hot during operation. Read and understand all operating instructions before using this appliance. For further information, consult your dealer.

Local conditions, such as elevation, wind, vent configuration and choice of fuel will affect overall appearance of the fire and heating performance. Performance can also vary with home design and insulation, climate, condition and type of fuel used, appliance location, burn rate, accessories chosen, chimney installation and how the appliance is operated.

Diagrams, illustrations and photographs are not to scale—consult installation instructions. Product designs, materials, dimensions, specifications, colors and prices are subject to change or discontinuance without notice.

astria
FIREPLACES™

© 2014 Innovative Hearth Products
785451M 07/14

Visit us online



Astria.us.com

