

SCORPIO CD
DIRECT VENT GAS FIREPLACES



SCORPIO CD



Scorpio CD 35 with Black Crushed Glass, Driftwood Log Set, Black Porcelain Liner, and Classic Façade

The Scorpio CD Direct Vent Gas Fireplace is a true representation of transitional style. Adorned with elegant standard features like reflective black crushed glass floor media, and a variety of facades to choose from, the Scorpio CD also features outstanding heating capabilities. Sleek. Elegant. Powerful. That is the essence of the Scorpio CD Direct Vent Gas Fireplace.

STANDARD FEATURES

- ◆ Available in 35", 40" and 45" models
- ◆ Mid-size 17" depth saves installed floor space
- ◆ Combination top/rear flue configuration
- ◆ Electronic ignition with seamless battery backup provides continued operation in the event of a power outage (IPI/CPI switch standard).
- ◆ Outstanding heating efficiency for increased comfort and lower operating costs
- ◆ Standard tempered glass and a protective screen*
- ◆ Reflective black crushed glass media included with optional colors available to customize the look
- ◆ Face selections include a Classic inside fit façade or Designer overlap fit facades (required)
- ◆ Black painted interior (optional liner available)
- ◆ Wireless wall mounted control provides variable flame settings
- ◆ Optional blower and touch remote or hand-held remote control available for all models
- ◆ Durable textured powder coat finish
- ◆ Limited lifetime warranty

*All applicable models comply with ANSI Z21.50/88 barrier requirements.



River Rock with Black Crushed Glass

SCORPIO CD Options & Accessories

Interior



Black Painted Interior
(Standard)



Black Porcelain Liner
(Optional)

Media



Reflective Black
Crushed Glass (Standard)



Platinum
Crushed Glass



Reflective Blue
Crushed Glass



River Rock Assorted Set

Log Sets



High-Definition Driftwood Log Set (40" Shown)

Facades

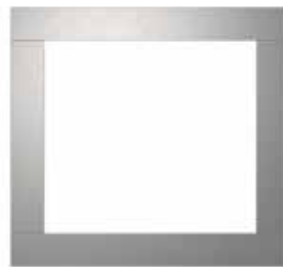


CLASSIC
Black

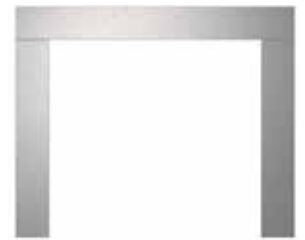


REFLECTION
Espresso Black or Warm Chestnut (Shown)

Nouvelle Decorative Face Surrounds (Optional)



STAINLESS SURROUND
Four-Sided



STAINLESS SURROUND
Three-Sided

Control Options



Multi-Function
Touch Remote
(Optional)

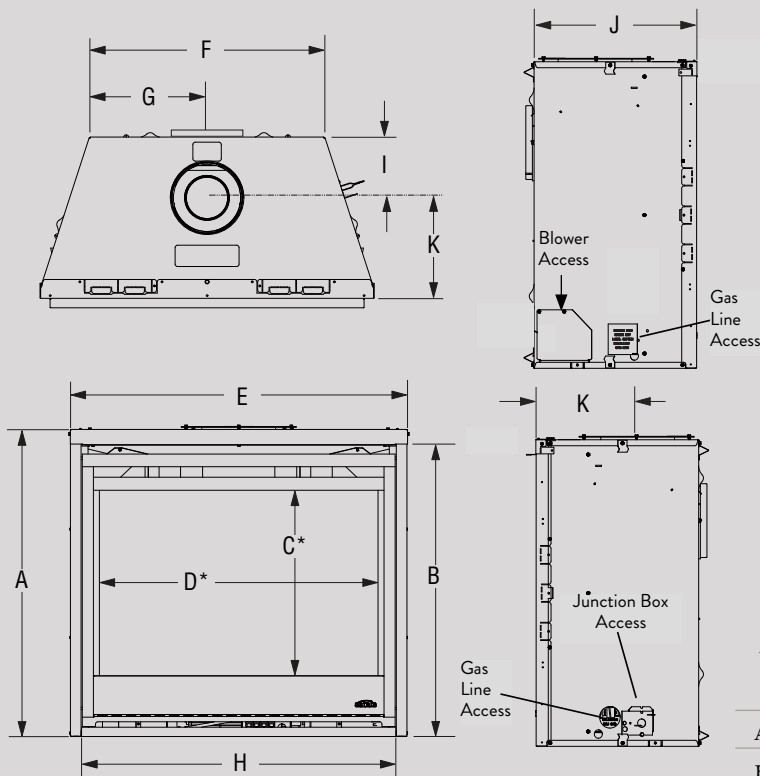


Hand-Held
On/Off High/Low
Remote Control
(Optional)



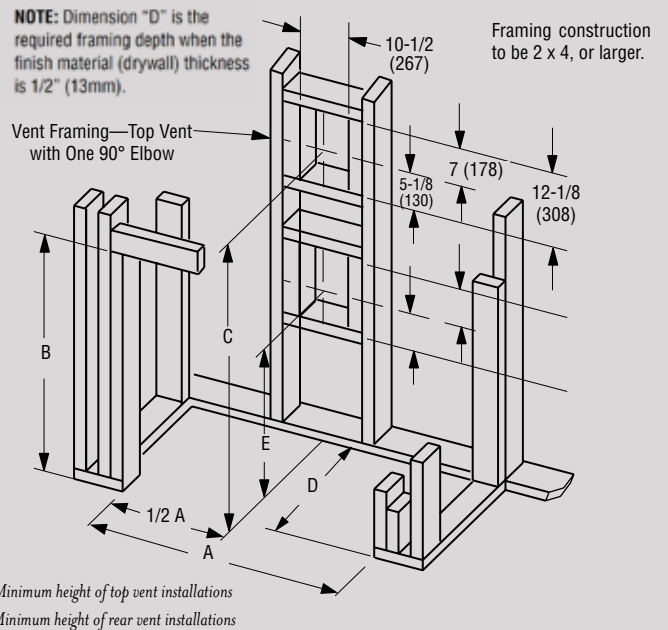
Wireless Wall-
Mounted Control
(Standard)

APPLIANCE SPECIFICATIONS



	SCORPIO CD 35	SCORPIO CD 40	SCORPIO CD 45
A	32-1/8"	37-1/8"	37-1/8"
B	30-1/2"	35-1/2"	35-1/2"
C	19-1/2"	24-1/2"	24-1/2"
D	29-1/4"	34-1/4"	39-1/4"
E	35-1/4"	40-1/4"	45-1/4"
F	25"	30"	35"
G	12-1/2"	15"	17-1/2"
H	32-7/8"	37-7/8"	42-7/8"
I	6-7/8"	6-7/8"	6-7/8"
J	17"	17"	17"
K	10-1/8"	10-1/8"	10-1/8"

FLAT WALL FRAMING SPECIFICATIONS



	SCORPIO CD 35	SCORPIO CD 40	SCORPIO CD 45
A*	35-7/8"	40-7/8"	45-7/8"
B	36-1/4"	41-1/4"	41-1/4"
C	38-3/4"	43-3/4"	43-3/4"
D	18-1/2"	18-1/2"	18-1/2"
E	23-3/8"	28-1/4"	28-1/4"

*Minimum opening size; additional 1/8" per side is recommended.

MODEL	FUEL	BTU/HR	AFUE**	P4 / ENERGYGUIDE*
SCORPIO CD 35	NG	20,000-14,000	66.3%	64.9%
SCORPIO CD 35	LP	18,000-13,000	64.8%	63.4%
SCORPIO CD 40	NG	23,000-18,000	65.0%	64.3%
SCORPIO CD 40	LP	23,000-18,000	63.7%	63.3%
SCORPIO CD 45	NG	28,000-22,000	65.1%	66.0%
SCORPIO CD 45	LP	27,000-20,000	63.6%	63.1%

*Intermittent ignition systems.

**Annual Fuel Utilization Efficiency (AFUE) is the recognized U.S. rating system for the total efficiency of heating products.

IMPORTANT NOTES:

As with any fireplace, this appliance is extremely hot during operation. Read and understand all operating instructions before using this appliance. For further information, consult your dealer.

Local conditions, such as elevation, wind, vent configuration and choice of fuel will affect overall appearance of the fire and heating performance. Performance can also vary with home design and insulation, climate, condition and type of fuel used, appliance location, burn rate, accessories chosen, chimney installation and how the appliance is operated.

Diagrams, illustrations and photographs are not to scale—consult installation instructions. Product designs, materials, dimensions, specifications, colors and prices are subject to change or discontinuance without notice.

On the Cover: Scorpio CD 40 shown with Reflective Black Crushed Glass, Black Porcelain Liner, and Espresso Black Reflection Façade

astria
FIREPLACES®

© 2022 Innovative Hearth Products

785878M 02/22

Visit us online
Astria.us.com

PFS®
C US
Report #F13-094

